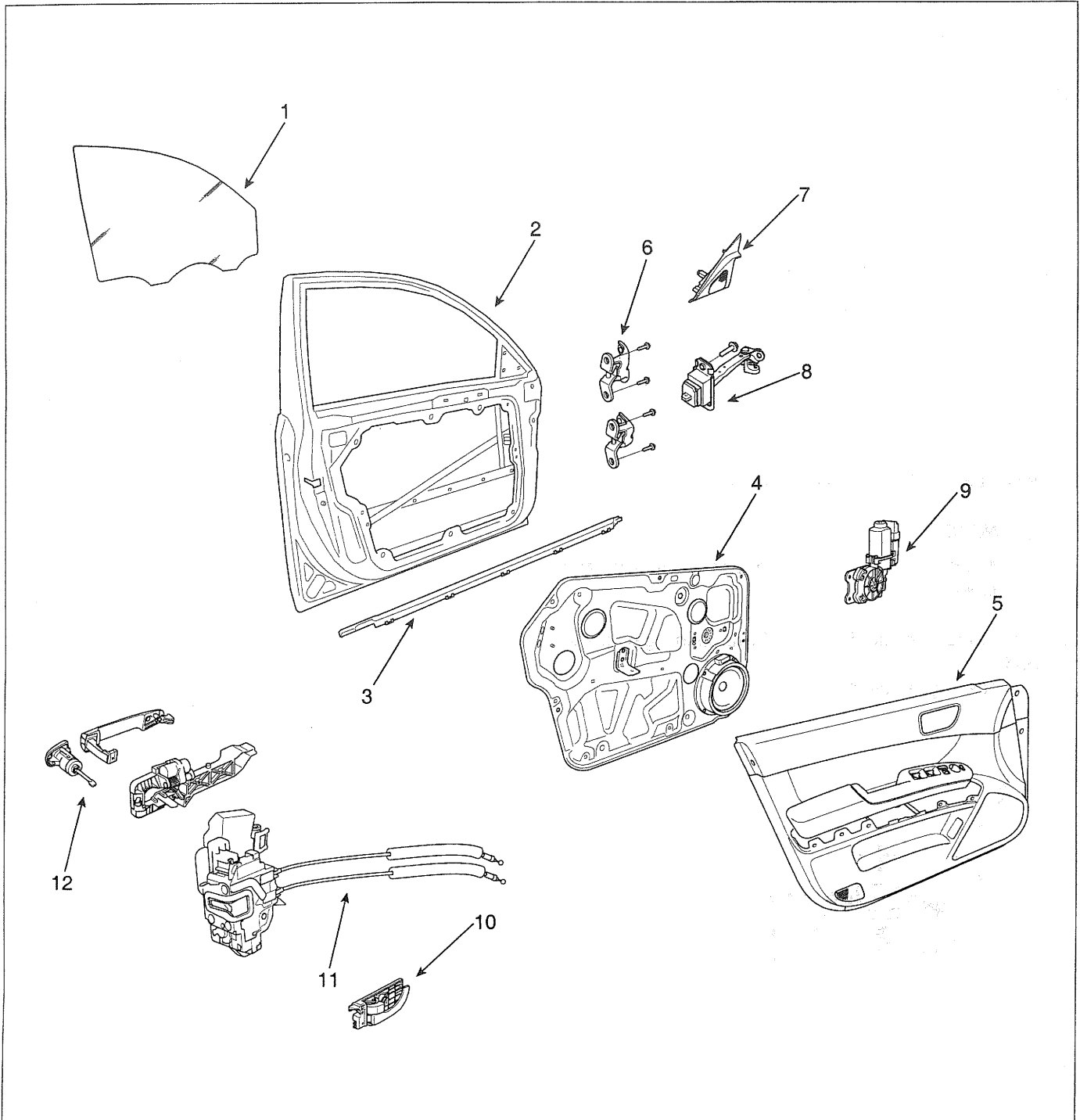


FRONT DOOR

COMPONENTS E513D962



- 1. Front door glass
- 2. Front door panel
- 3. Door belt weatherstrip
- 4. Front door module

- 5. Front door trim
- 6. Door hinge
- 7. Quadrant inner cover
- 8. Front door checker

- 9. Power window motor
- 10. Inside handle
- 11. Latch assembly
- 12. Key cylinder

REPLACEMENT E2CA0C9D

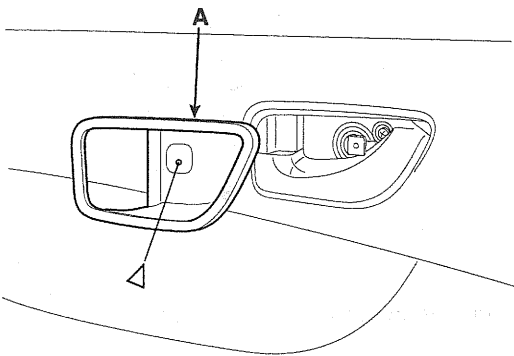
FRONT DOOR TRIM REPLACEMENT

NOTE

- Take care not to scratch the door trim and other parts.
- Put on gloves to protect your hands.

1. Remove the quadrant inner cover (See page BD-47).
2. Remove the inside handle cover (A).

▷ : Screw location, 1



LSRE330B

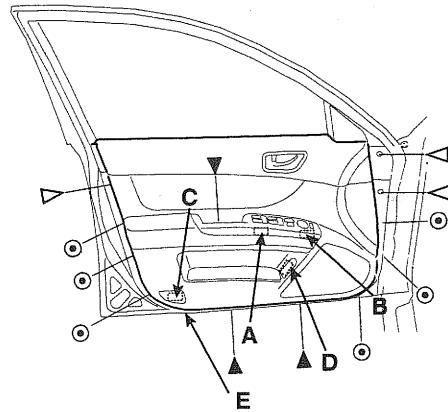
3. Loosen the door trim (E) mounting screws. Release the clips that hold the door trim, then remove the door trim by pulling it upward. Disconnect the power window switch connector(A), power mirror connector (B), and door courtesy lamp connector(C), trunk lid connector (D).

Fastener Locations

▷ : Screw, 3

▶ : Screw, 3

⊙ : Clip, 6



LSRE320D

4. Installation is the reverse of removal.

NOTE

- Make sure of connectors is plugged in properly and each rod is connected securely.
- Make sure the door lock and opens properly.

GLASS REPLACEMENT

 **NOTE**

- Put on gloves to protect your hands.

1. Remove the front door trim (See page BD-21).

 **NOTE**

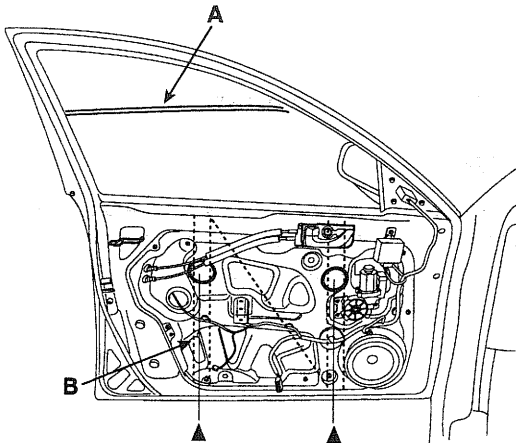
- Using the door switch to align the mounting hole with the hole on the door glass.
- If it is impossible, align the hole with hands after removing the motor.

2. Carefully move the glass (A) until you can see the bolts, then loosen them. Separate the glass from the glass run and carefully pull the glass out through the window slot (B).

 **CAUTION**

- Take care not to drop to glass and scratch the glass surface.

▶ : Bolt location, 2



LSRE320E

3. Installation is the reverse of removal.

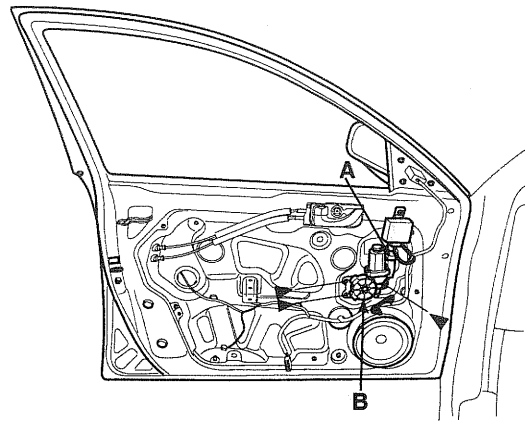
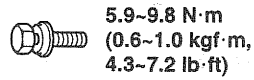
 **NOTE**

- Roll the glass up down to see if it move freely without binding.
- Adjust the position of the glass as necessary (See page BD-27).

POWER WINDOW MOTOR REPLACEMENT

1. Remove the front door trim (See page BD-21).
2. After disconnecting the connector (A), remove the power window motor (B).

▶ : Bolt location, 3



LSRE320G

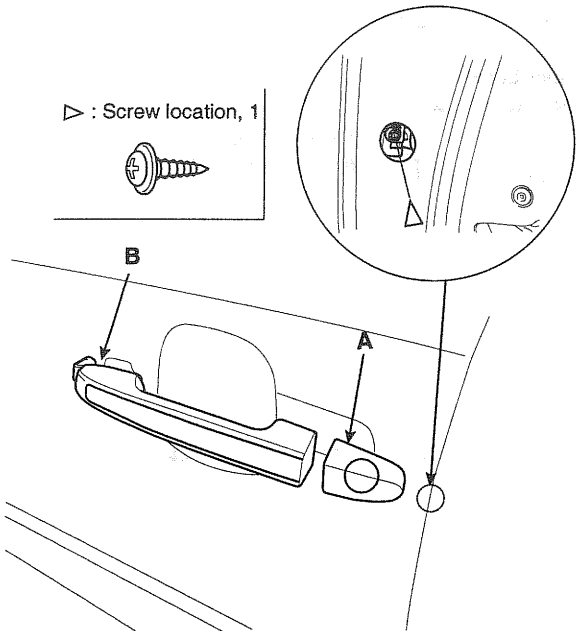
3. Installation is the reverse of removal.

 **NOTE**

- Roll the glass up down to see if it move freely without binding.

OUT SIDE HANDLE REPLACEMENT

1. Remove the following parts.
 - Remove the front door trim (See page BD-21).
 - Remove the glass (See page BD-22).
 - Remove inside handle (See page BD-25).
2. After disconnecting the cover (A), remove the outside handle base (B).

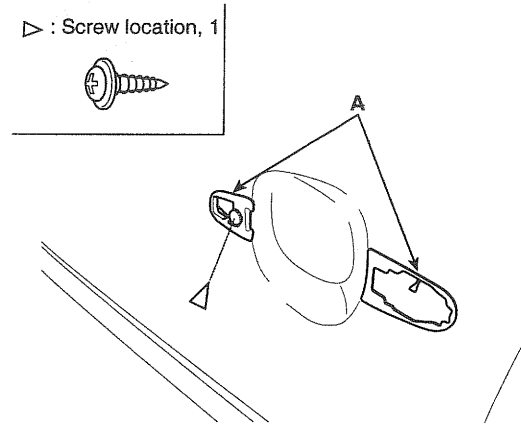


LSRE320Y

3. Remove door module (See page BD-24).
4. Installation is the reverse of removal.

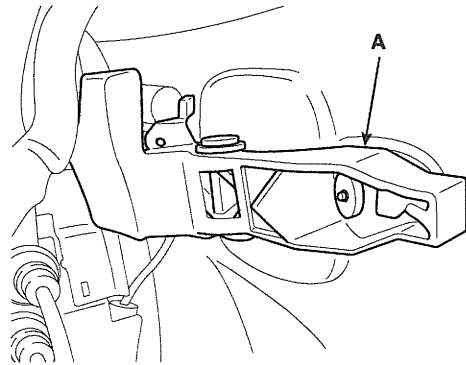
FRONT DOOR LATCH REPLACEMENT

1. Remove the following parts.
 - Remove the front door trim (See page BD-21).
 - Remove the glass (See page BD-22).
 - Remove the inside handle (See page BD-25).
 - Remove the door module (See page BD-24).
2. Remove the outside handle (See page BD-23).
3. Remove the outside handle pad (A).



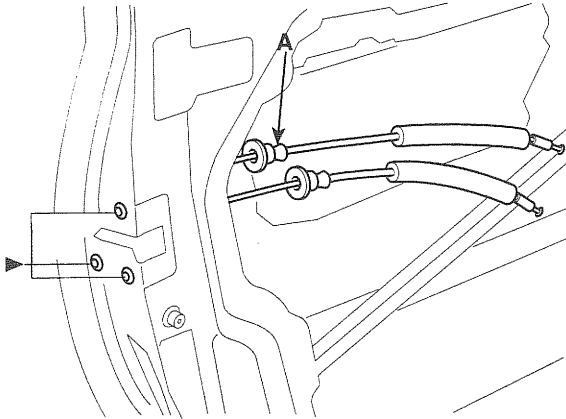
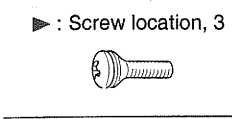
LSRE430B

4. Remove the outside handle base (A).



LSRE430A

5. After loose the latch mounting bolts, remove the front door latch (A).



LSRE330G

6. Installation is the reverse the removal.

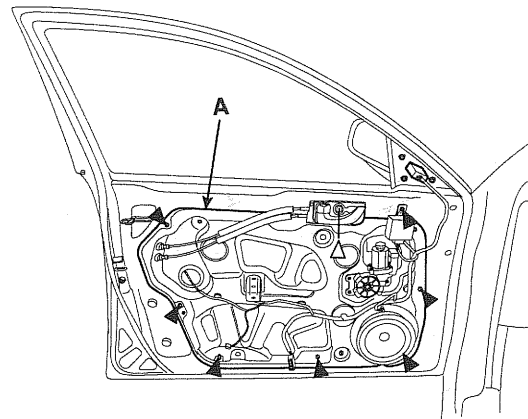
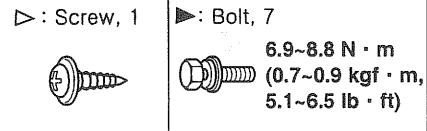
NOTE

- Make sure the door lock and opens properly.

FRONT DOOR MODULE

1. Remove the front door trim (See page BD-21).
2. Remove the glass (See page BD-22).
3. Remove the inside handle (See page BD-25).
4. Remove the outside handle (See page BD-23).
5. After loose the door module mounting bolts, remove the door module (A).

Fastener Locations



LSRE320K

6. Installation is the reverse of removal.

NOTE

- Make sure the connector is plugged in properly and each rod is connected securely.
- Make sure the door lock and open properly.