

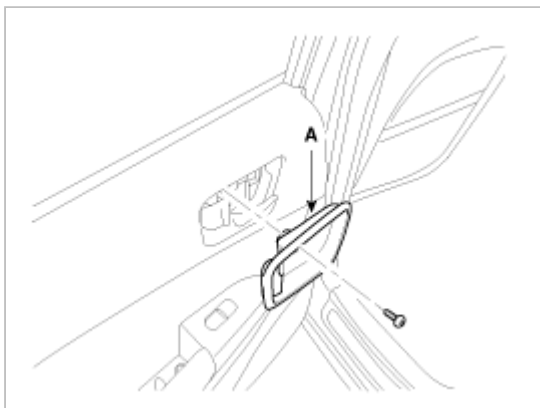
Replacement

Door Trim Replacement

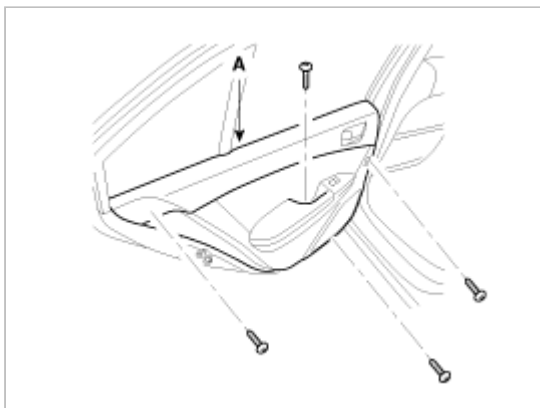
NOTE

- Take care not to scratch the door trim and other parts.
- Put on gloves to protect your hands.

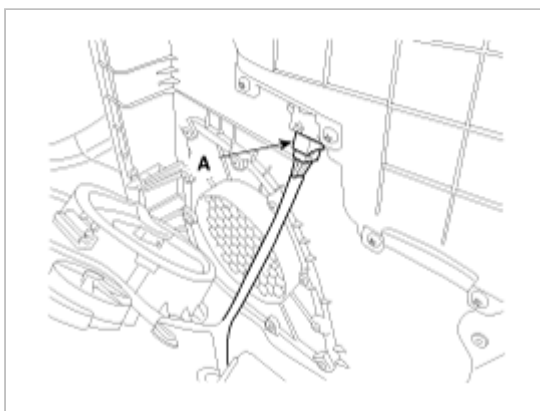
1. After loosening the mounting screw, then remove the inside handle cover (A).



2. Loosen the door trim (A) mounting screws. Release the clips that hold the door trim, then remove the door trim by pulling it upward.



3. Disconnect the connector (A).



4. Installation is the reverse of removal.

NOTE

- Make sure connectors is plugged in properly and each rod is connected securely.

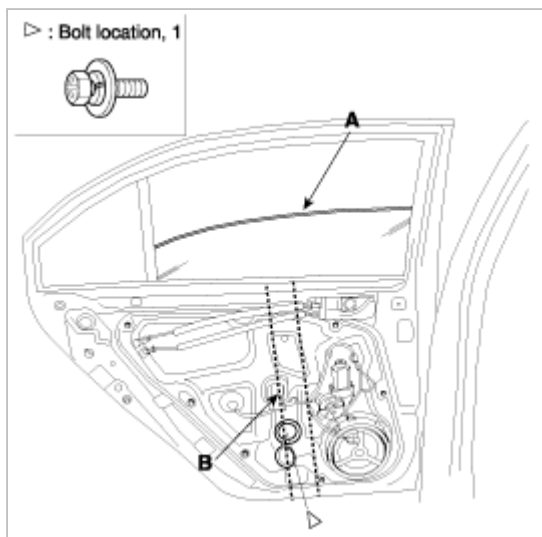
- Make sure the door locks and opens properly.

Glass Replacement

NOTE

- Put on gloves to protect your hands.

1. Remove the rear door trim.
2. Carefully move the glass (A) until you can see the bolts, then loosen them. Separate the glass from the glass run and carefully pull the glass out through the window slot (B).



CAUTION

Take care not to drop the glass and scratch the glass surface.

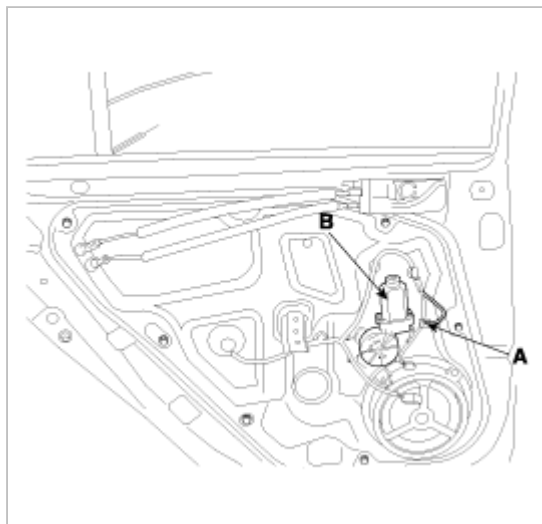
3. Installation is the reverse of removal.

NOTE

- Roll the glass up and down to see if it move freely without binding.
- Adjust the position of the glass as necessary.

Power Window Motor Replacement

1. Remove the rear door trim.
2. After disconnecting the connector (A), remove the power window motor(B).



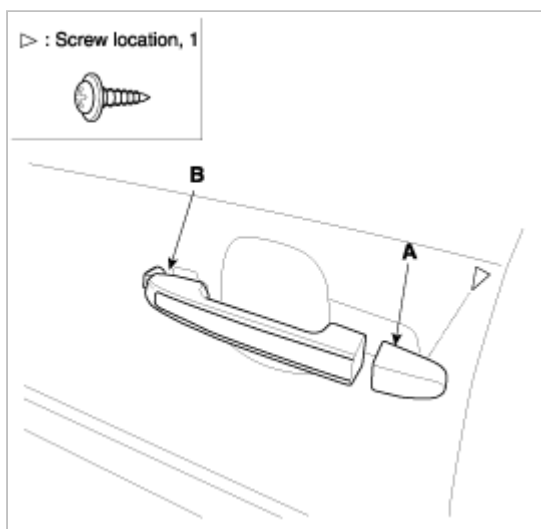
3. Installation is the reverse of removal.

NOTE

- Roll the glass up and down to see if it move freely without binding.

Outside Handle Replacement

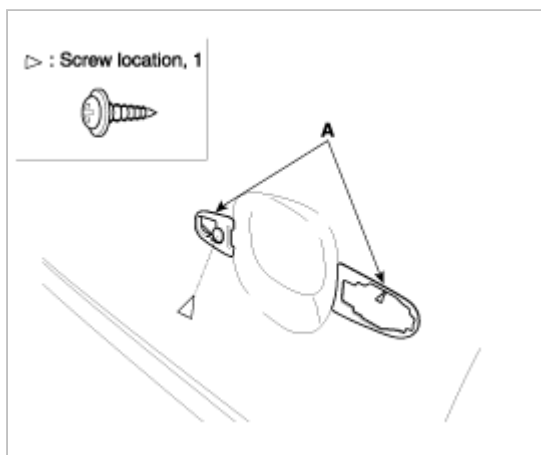
1. Remove the rear door trim.
2. Remove the glass.
3. Remove inside handle.
4. After disconnecting the cover (A), remove the outside handle base(B).



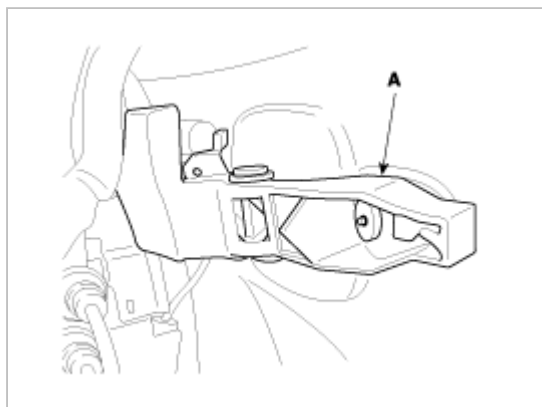
5. Remove rear door module.
6. Installation is the reverse of removal.

Rear Door Latch Replacement

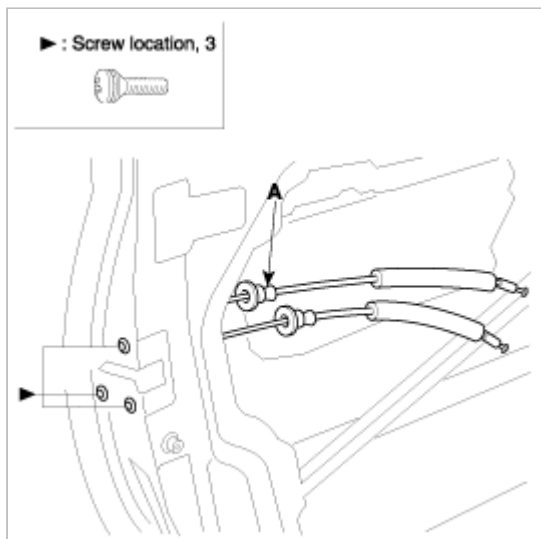
1. Remove the rear door trim.
2. Remove the glass.
3. Remove the inside handle.
4. Remove the door module.
5. Remove the outside handle.
6. Remove the outside handle pad (A).



7. Remove the outside handle base (A).



8. After loose the latch mounting bolts, remove the rear door latch(A).



9. Installation is the reverse of removal.

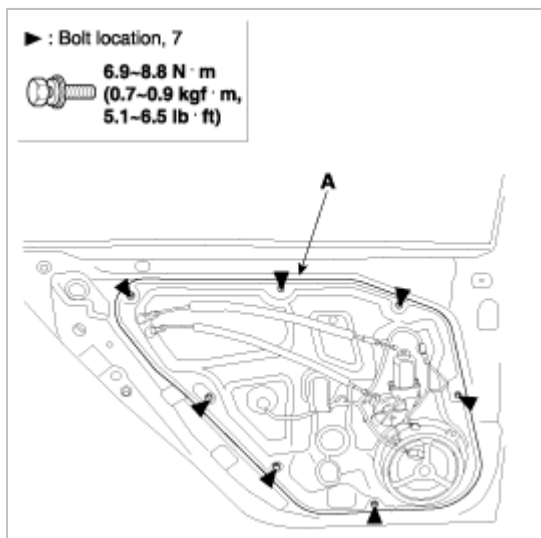
NOTE

- Make sure the door lock and opens properly.

Rear Door Module Replacement

1. Remove the rear door trim.
2. Remove the glass.
3. Remove the inside handle.

4. Remove the outside handle.
5. After loose the door module mounting bolts, remove the door module (A).



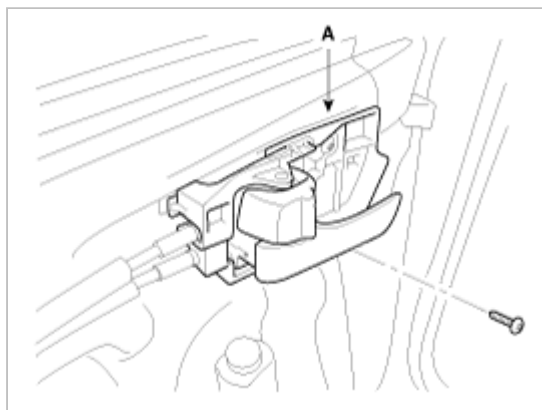
6. Installation is the reverse of removal.

NOTE

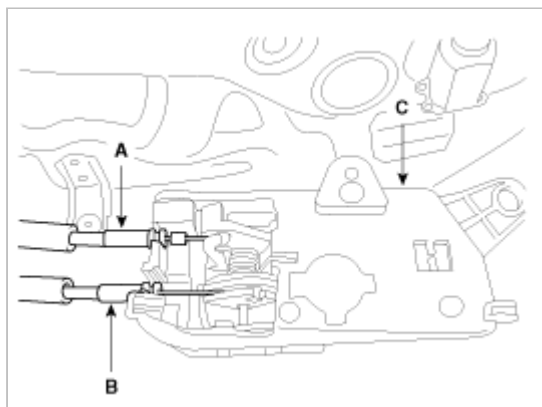
- Make sure the connector is plugged in properly and each rod is connected securely.
- Make sure the door locks and opens properly.

Inside Handle Replacement

1. Remove the door trim.
2. After loosening the mounting screw, then remove the inside handle (A).



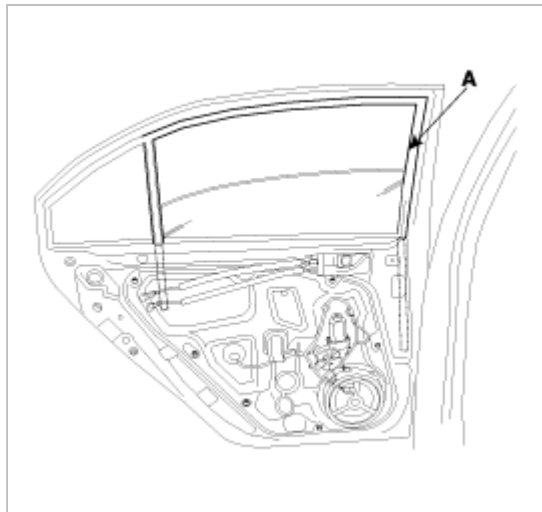
3. Disconnect the lock cable and (A) inside connect cable (B).
4. Remove the inside handle (C).



5. Installation is the reverse of removal.

Glass Run Replacement

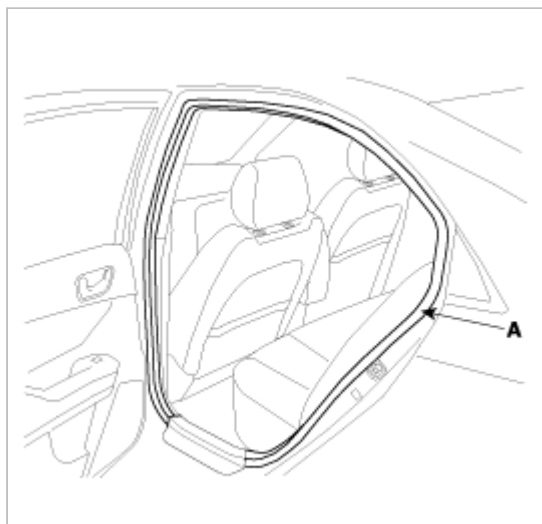
1. Remove the rear door trim.
2. Remove the glass.
3. Remove the glass run channel (A) front the lower part.



4. Installation is the reverse of removal.

Body Weather strip Replacement

1. Release the clips then remove the body weather strip (A).



2. Installation is the reverse of removal.

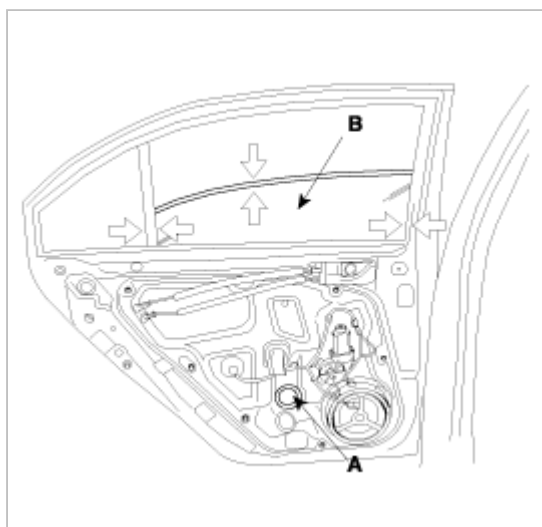
Adjustment

Glass Adjustment

NOTE

- Check the glass run channel for damage or deterioration, and replace if necessary.

1. Remove the following parts.
 - A. Door trim.
2. Carefully move the glass (A) until you can see the glass mounting bolts(B), then loosen them.

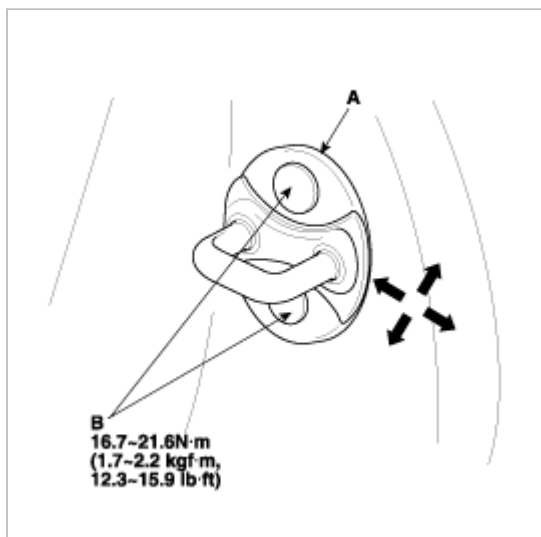


3. Push the glass (A) against the channel (C), then tighten the glass mounting bolts.
4. Check that the glass moves smoothly.
5. Raise the glass fully and check for gaps.
Check that the glass contacts the glass run channel evenly.
6. Check for water leaks. Run water over the roof and on the sealing area as shown and note these items:
 - A. Use a 12mm (1/2in.) diameter hose (A).
 - B. Adjust the rate of water flow as shown (B).
 - C. Do not use a nozzle.
 - D. Hold the hose about 300mm (12in.) away from the door (C).

Door Striker Adjustment

Make sure the door latches securely without slamming it. If necessary, adjust the striker (A): The strike nuts are fixed. The strike can be fine adjusted up or down, and in or out.

1. Loosen the screws (B), then insert a shop towel between the body and striker.



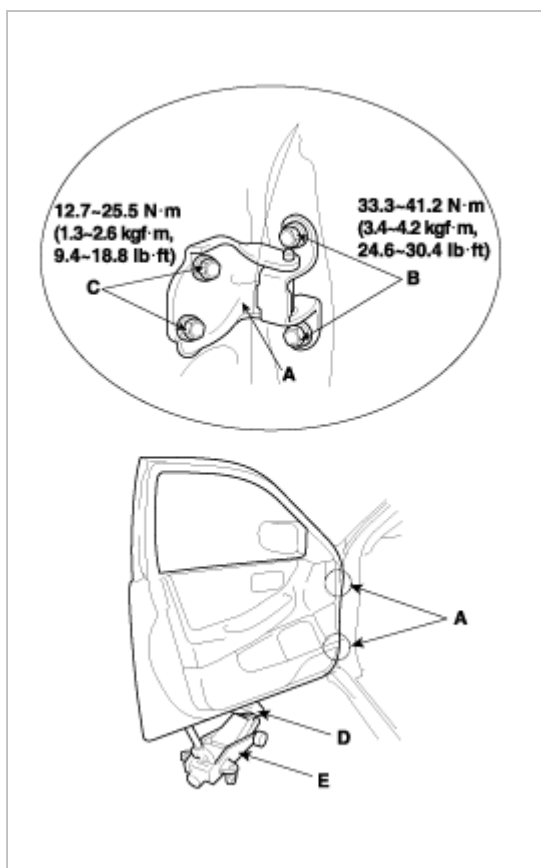
2. Lightly tighten the screws.
3. Wrap the striker with a shop towel, then adjust the striker by tapping it with a plastic hammer.
Do not tap the striker too hard.
4. Loosen the screws and remove the shop towel.
5. Lightly tighten the screws.
6. Hold the outer handle out, and push the door against the body to confirm the striker allows a flush fit. If the door latches properly, tighten the screws and recheck.

Door Position Adjustment

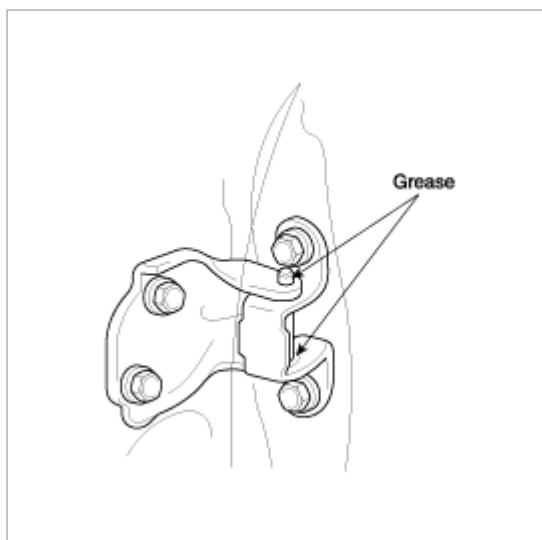
NOTE

After installing the door, check for a flush fit with the body, then check for equal gaps between the front, rear, and bottom door edges and the body. Check that the door and body edges are parallel. Before adjusting, replace the mounting bolts.

1. Place the vehicle on a firm, level surface when adjusting the doors.
2. Adjust at the hinges (A):
 - A. Loosen the door mounting bolts (B) slightly and move the door IN or OUT until it aligns flush with the body.
 - B. Loosen the hinge mounting bolts (C) slightly and move the door BACKWARD or FORWARD, UP or DOWN as necessary to equalize the gaps.
 - C. Place a shop towel (D) on the jack (E) to prevent damage to the door when adjusting the door.
3. Check that the door and body edges are parallel.



4. Grease the pivot portions of the hinges indicated by the arrows.



5. Check for water leaks.