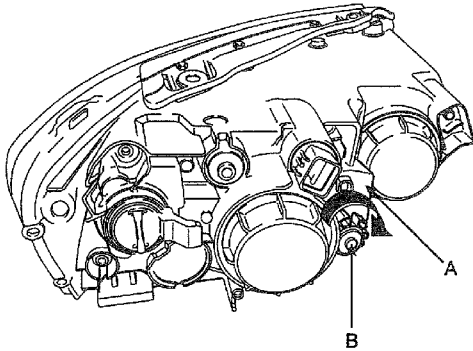


HEAD LAMP LEVELING ACTUATOR

REPLACEMENT EE72A6CF

1. Disconnect the negative (-) battery terminal.
2. Remove the head lamp assembly (Refer to the head lamp).
3. Remove the head lamp leveling actuator (A) by loosening the adjusting bolt (B) after rotating it to an arrow direction.



ETRF541A

4. Installation is the reverse of removal procedure.