

CENTER FACIA PANEL REPLACEMENT

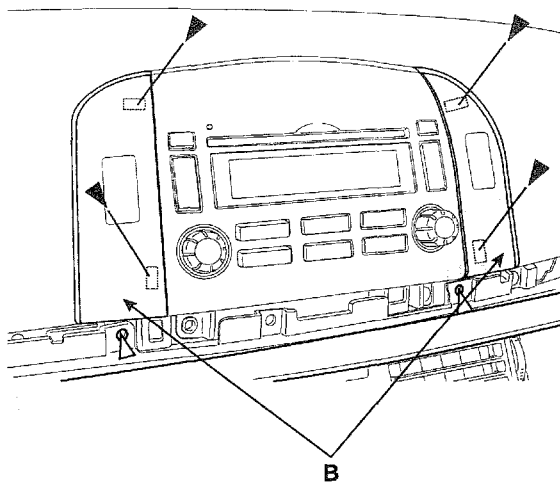
1. After disconnecting the connector (A), remove the center facia panel (B).

NOTE

- When prying with a flat-up screwdriver, wrap it with protective tape, and apply protective tape around the related parts, to prevent damage.
- Put on gloves to protect your hands.

Fastener Locations

▷ : Screw, 2 ▶ : Clip, 4

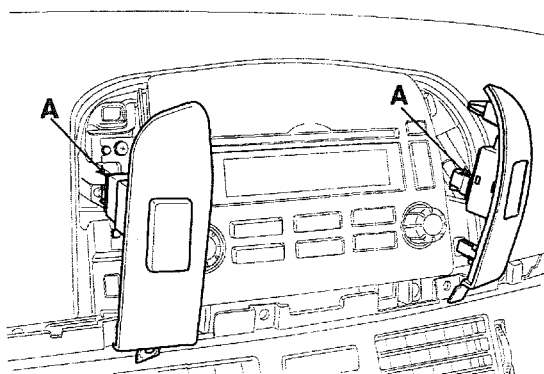


LSRE170F

2. Installation is the reverse of removal.

NOTE

- Make sure the connector is plugged in properly.



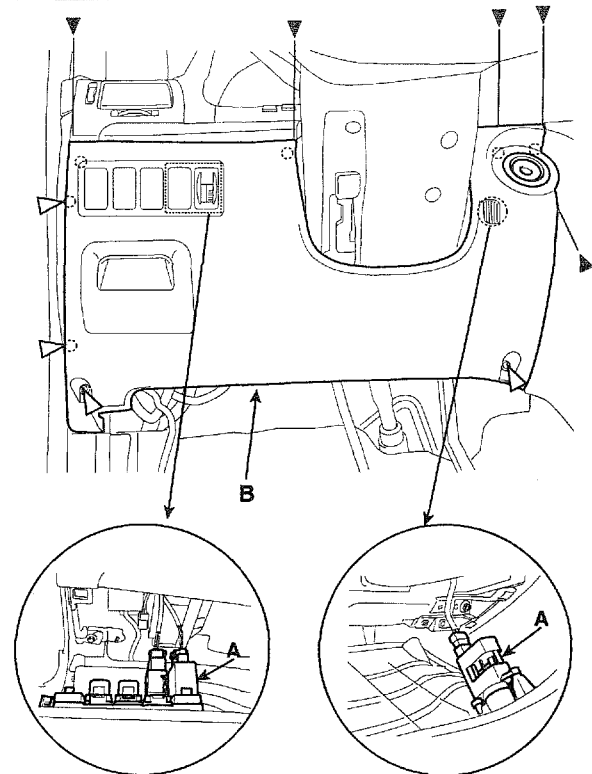
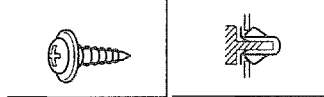
LSRE170G

LOWER CRASH PAD PANEL REPLACEMENT

1. Remove the center garnish (See page BD-53).
2. Loosening the crash pad lower panel mounting screw.
3. After Disconnecting the connector(A), remove lower panel (B).

Fastener Locations

▷ : Screw, 4 ▶ : Clip, 5



LSRE170H

4. Installation is the reverse of removal.